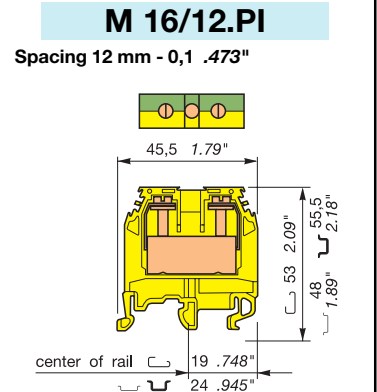
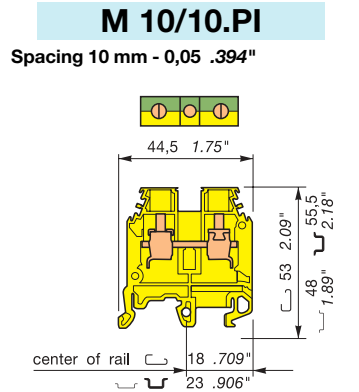
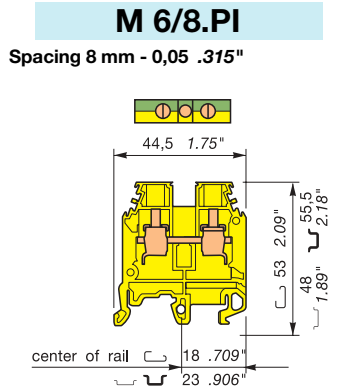


Ground terminal blocks
not electrically connected
to the mounting rail
(isolated ground)

Compression clamp
 DIN 1 - 3

For other terminal block accessories, see Product Guide pages for standard blocks of the same size.



Type	Part number
Yellow body with green strip on the top	
M 6/8.PI	0165 451.21

Type	Part number
Yellow body with green strip on the top	
M 10/10.PI	0165 452.22

Type	Part number
Yellow body with green strip on the top	
M 16/12.PI	0165 453.23

Characteristics		IEC	UL	CSA
Wire size	Compression clamp	NFC DIN	UL	CSA
0,5-10 mm ²	Solid wire	24-8 AWG	24-8 AWG	24-8 AWG
0,5-6 mm ²	Stranded wire	24-8 AWG	24-8 AWG	24-8 AWG

Characteristics		IEC	UL	CSA
Wire size	Compression clamp	NFC DIN	UL	CSA
0,5-16 mm ²	Solid wire	20-6 AWG	20-6 AWG	18-6 AWG
0,5-10 mm ²	Stranded wire	20-6 AWG	20-6 AWG	18-6 AWG

Characteristics		IEC	UL	CSA
Wire size	Compression clamp	NFC DIN	UL	CSA
2,5-25 mm ²	Solid wire	14-4 AWG	14-4 AWG	14-4 AWG
2,5-16 mm ²	Stranded wire	14-4 AWG	14-4 AWG	14-4 AWG

Characteristics		IEC	UL	CSA
Wire size	Compression clamp	NFC DIN	UL	CSA
1200A/1s				

Short circuit current
720A/1s

Short circuit current
1200A/1s

Short circuit current
1920A/1s

Short circuit current
1920A/1s

Rated wire size / Gauge
6 mm ² / A5

Rated wire size / Gauge
8 AWG

Rated wire size / Gauge
10 mm ² / B6

Rated wire size / Gauge
16 mm ² / B7

Other characteristics			
Wirestripping length	Recomm. screwdriver	Recomm. torque	Protection
12 mm .47"	4-5 mm .157"-.197"	0,8-1 Nm 7.1-8.9 lb.in	IP 20 NEMA 1

Other characteristics			
Wirestripping length	Recomm. screwdriver	Recomm. torque	Protection
12 mm .47"	5,5-6 mm .217"-.238"	1,2-1,4 Nm 10.6-12.3 lb.in	IP 20 NEMA 1

Other characteristics			
Wirestripping length	Recomm. screwdriver	Recomm. torque	Protection
14 mm .55"	5,5 mm .22"	1,2-1,4 Nm 10.6-12.3 lb.in	IP 10

Other characteristics			
Wirestripping length	Recomm. screwdriver	Recomm. torque	Protection
14 mm .55"	5,5 mm .22"	1,2-1,4 Nm 10.6-12.3 lb.in	IP 10

Approvals
UL, Ex, S, P, S, N, D, A, B, C, G, L, CE, K, E, H, G, L, CE

Approvals
UL, Ex, S, P, S, N, D, A, B, C, G, L, CE, K, E, H, G, L, CE

Approvals
UL, Ex, S, P, S, N, D, A, B, C, G, L, CE, K, E, H, G, L, CE

Approvals
UL, Ex, S, P, S, N, D, A, B, C, G, L, CE, K, E, H, G, L, CE

Accessories	
1 End section	yellow
2 Separator end section	grey
R See markers	marking method

Type	Part number
FEM6 th. 2,8 mm	0103 062.21
SCF6 th. 3 mm	0118 707.03

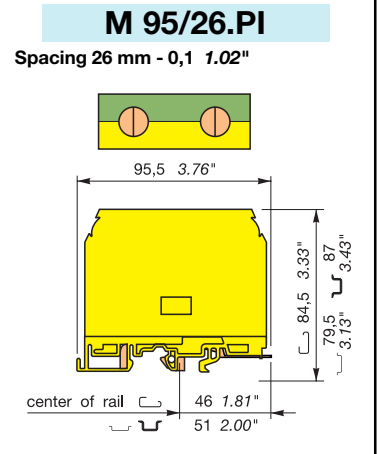
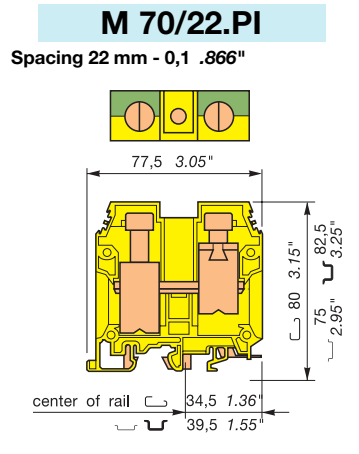
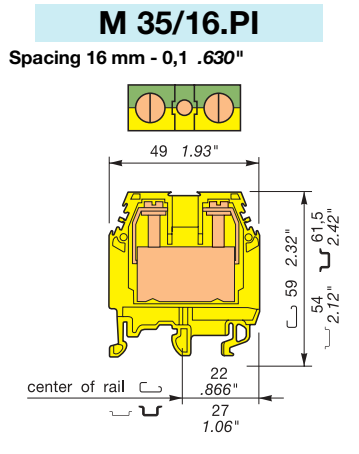
Type	Part number
FEM6 th. 2,8 mm	0103 062.21
SCF6 th. 3 mm	0118 707.03

Type	Part number
FEM12 th. 3 mm	0103 065.24
SCF12 th. 3 mm	0113 102.10

Ground terminal blocks
not electrically connected
to the mounting rail
(isolated ground)

Compression clamp
 DIN 1 - 3

For other terminal block accessories, see Product Guide pages for standard blocks of the same size.



Type	Part number
Yellow body with green strip on the top	
M 35/16.PI	0165 454.24

Type	Part number
Yellow body with green strip on the top	
M 70/22.PI	0165 596.13

Type	Part number
Yellow body with green strip on the top	
M 95/26.PI	0165 556.22

Characteristics		IEC	UL	CSA
Wire size	Compression clamp	NFC DIN	UL	CSA
1-50 mm ²	Solid wire	16-0 AWG	16-0 AWG	16-0 AWG
1-35 mm ²	Stranded wire	16-2 AWG	16-2 AWG	16-2 AWG

Characteristics		IEC	UL	CSA
Wire size	Compression clamp	NFC DIN	UL	CSA
16-95 mm ²	Solid wire	4-00 AWG	4-00 AWG	4-00 AWG
16-70 mm ²	Stranded wire	4-00 AWG	4-00 AWG	4-00 AWG

Characteristics		IEC	UL	CSA
Wire size	Compression clamp	NFC DIN	UL	CSA
35-120 mm ²	Solid wire	2/0000 AWG	2/0000 AWG	2/000 AWG max.
35-95 mm ²	Stranded wire	2/0000 AWG	2/0000 AWG	2/000 AWG max.

Characteristics		IEC	UL	CSA
Wire size	Compression clamp	NFC DIN	UL	CSA
4200A/1s				

Short circuit current
4200A/1s

Short circuit current
8400A/1s

Short circuit current
11400A/1s

Short circuit current
11400A/1s

Rated wire size / Gauge
35 mm ² / B9

Rated wire size / Gauge
0 AWG

Rated wire size / Gauge
70 mm ² / B11

Rated wire size / Gauge
95 mm ² / B12

Other characteristics			
Wirestripping length	Recomm. screwdriver	Recomm. torque	Protection
17 mm .669"	6,5-7 mm .255"-.276"	2,8-3 Nm 24.3-26.1 lb.in	IP 10

Other characteristics			
Wirestripping length	Recomm. screwdriver	Recomm. torque	Protection
25 mm .98"	6 flats 6 mm 6 mm .236" Allen Key	6-7 Nm 52-61 lb.in	IP 10

Other characteristics			
Wirestripping length	Recomm. screwdriver	Recomm. torque	Protection
26 mm 1.02"	6 flats 6 mm 6 mm .236" Allen Key	8,5-9,5 Nm 74-83 lb.in	IP 20 NEMA 1

Other characteristics			
Wirestripping length	Recomm. screwdriver	Recomm. torque	Protection
26 mm 1.02"	6 flats 6 mm 6 mm .236" Allen Key	8,5-9,5 Nm 74-83 lb.in	IP 20 NEMA 1

Approvals
UL, Ex, S, P, S, N, D, A, B, C, G, L, CE, K, E, H, G, L, CE

Approvals
UL, Ex, S, P, S, N, D, A, B, C, G, L, CE, K, E, H, G, L, CE

Approvals
UL, Ex, S, P, S, N, D, A, B, C, G, L, CE, K, E, H, G, L, CE

Approvals
UL, Ex, S, P, S, N, D, A, B, C, G, L, CE, K, E, H, G, L, CE

Accessories	
1 End section	yellow
2 Separator end section	grey
R See markers	marking method

Type	Part number
FEM16 th. 3 mm	0103 061.20
SCF16 th. 3 mm	0113 101.17

Type	Part number
FEM22 th. 3 mm	0103 881.14
SCF22 th. 3 mm	0113 851.16

Type	Part number
Closed block	